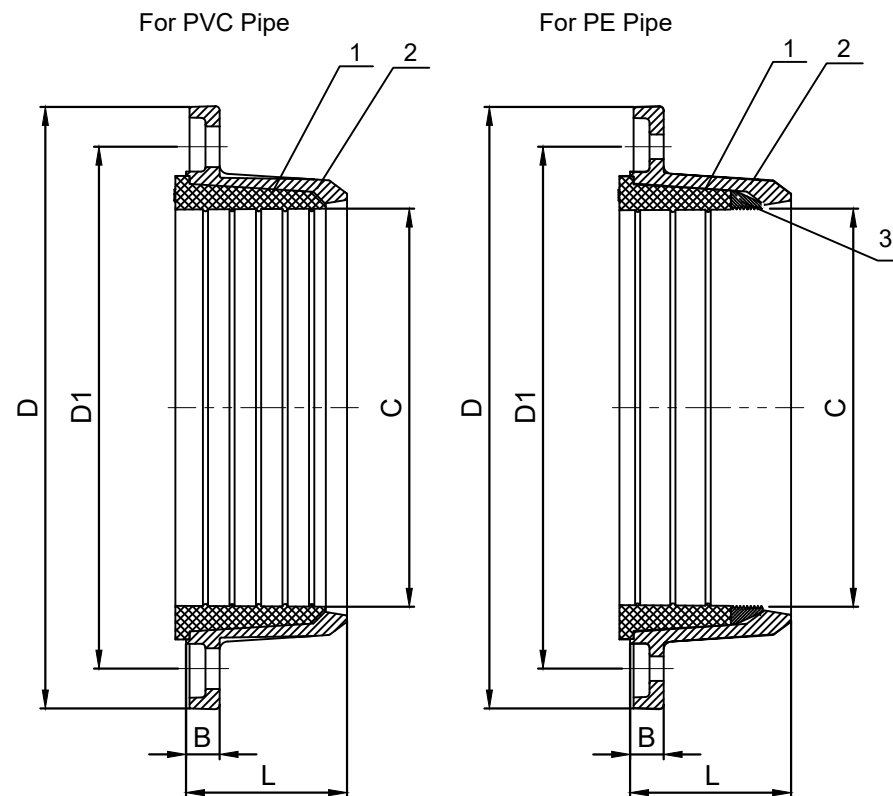
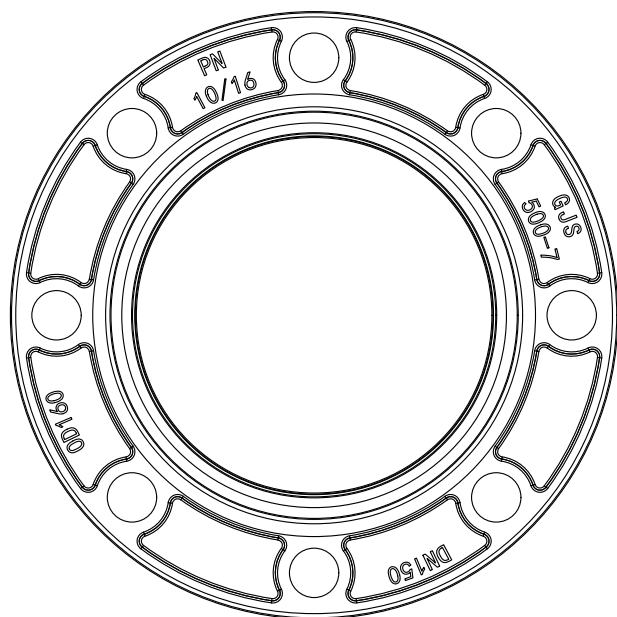


Fig: FA40



1: Flange dimensions according to EN1092-2
 2: Any definite information kindly contact with Hiwa directly.

Material Specification:

No.	Parts Name	Material	Specification
1	Body	Ductile Iron	EN-GJS-500-7
2	Seal Ring	Rubber	EN-681-1 EPDM
3	Grip Ring	Brass	

DRAWER		TOLERANCE		MATERIAL:		UNIT: mm
CHECK		SCALE		Quick Flange Adaptor		
APPROVAL		DATE	12/26/19			
				REV	201912A	

This document is the property of Huihua Valve Industry Co.
 Distribution of this document without the written consent of the owner is strictly forbidden
 Failure to comply will incur a liability for damages

Website: <http://www.hiwaflow.com>
 Email: sales@hiwaflow.com

Phone: 86 - 533 - 6077217
 FAX: 86 - 533 - 6077233

Huihua Valve Industry Co.
 No.36 MinAn Road New Hi-Tech Industry
 Zone Zibo Shandong China 255088 p.c