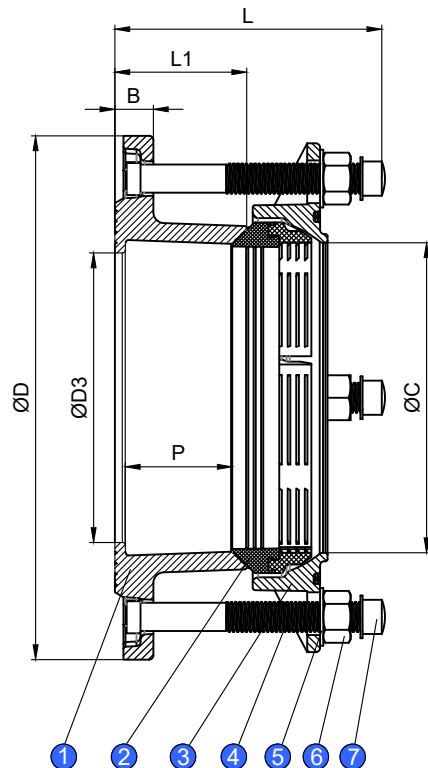
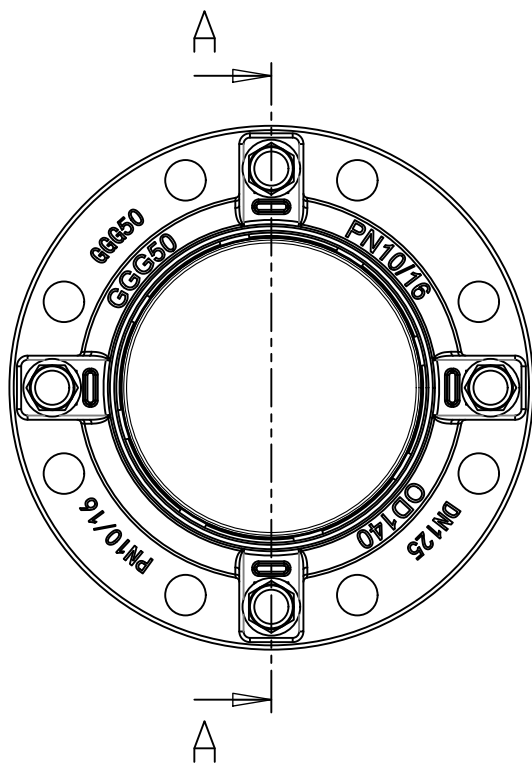


Fig :FA802




Features

- Ductile Iron GGG50 material with FBE coated.
- PN10.PN 16 working pressure.
- Equipped with Dacromet Coated Steel bolts, nuts.
- EPDM or NBR rubber seals .
- High Tolerance Mechanical Pipe Fittings

1:Flange dimensions according to EN1092-2
 2:Any definite information kindly contact with Hiwa directly.

Material Specification:

| No. | Parts Name | Material | Specification |
|-----|--------------|-----------------------|---------------|
| 1 | Body | Ductile Iron | GGG50 |
| 2 | Sealing Ring | Rubber+Brass | EPDM+Brass |
| 3 | End Ring | Ductile Iron | GGG50 |
| 4 | Bolts | Dacromet Coated Steel | |
| 5 | Washer | Dacromet Coated Steel | |
| 6 | Nut | Dacromet Coated Steel | |
| 7 | Cap | Plastic | |

| | | | | | |
|---|--|-----------|----------|-----------------------------------|---------|
| DRAWER | | TOLERANCE | | MATERIAL: | UNIT:mm |
| CHECK | | SCALE | | Tensile Restrained Flange Adaptor | |
| APPROVAL | | DATE | 02/22/24 | | |
|  | | | | DN50-DN300 | |
| | | | | REV | 202402A |

This document is the property of Huihua Valve Industry Co.
 Distribution of this document without the written consent of the owner is strictly forbidden
 Failure to comply will incur a liability for damages

<http://www.hiwallow.com> Website
sales@hiwallow.com Email

86 - 533 - 6077217 Phone
 86 - 533 - 6077233 FAX

Huihua Valve Industry co.
 No.36 MinAn Road New Hi-Tech Industry
 Zone Zibo Shandong China 255088 p.c