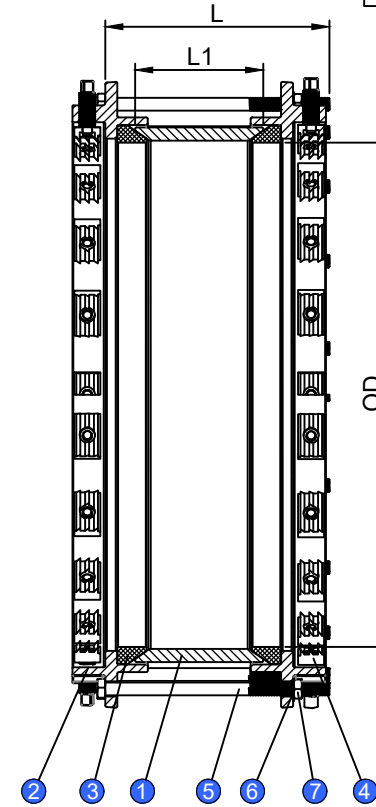
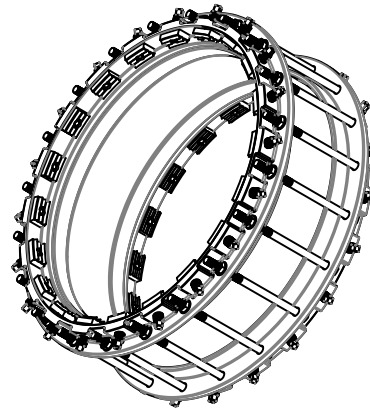
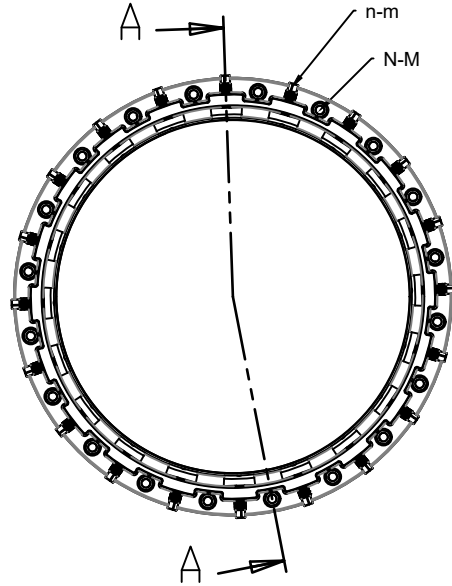


Fig:FC802-B




■ Features

- Ductile Iron GGG50 material with FBE coated.
- PN10.PN 16 working pressure.
- Equipped with Dacromet Coated Steel bolts, nuts.
- EPDM or NBR rubber seals .
- High Tolerance Mechanical Pipe Fittings

1:Flange dimensions according to EN1092-2
 2:Any definite information kindly contact with Hiwa directly.

Material Specification:

No.	Parts Name	Material	Specification
1	Body	Ductile Iron	GGG50
2	End Ring	Ductile Iron	GGG50
3	Rubber Seal	Rubber	EPDM
4	Grip Tooth	SS304	
5	Bolt	Dacromet Coated Steel	ISO898-1:1999
6	Washer	Dacromet Coated Steel	
7	Nut	Dacromet Coated Steel	ISO898-2:1992

DRAWER		TOLERANCE		MATERIAL:	UNIT:mm
CHECK		SCALE		Tensile Restrained Coupling	
APPROVAL		DATE	06/18/20		
				DN350-DN1000	
				REV	202006A

This document is the property of Huihua Valve Industry Co.
 Distribution of this document without the written consent of the owner is strictly forbidden
 Failure to comply will incur a liability for damages

http://www.hiwaflow.com Website
 sales@hiwaflow.com Email

86 - 533 - 6077217 Phone
 86 - 533 - 6077233 FAX

Huihua Valve Industry co.
 No.36 MinAn Road New Hi-Tech Industry
 Zone Zibo Shandong China 255088 p.c