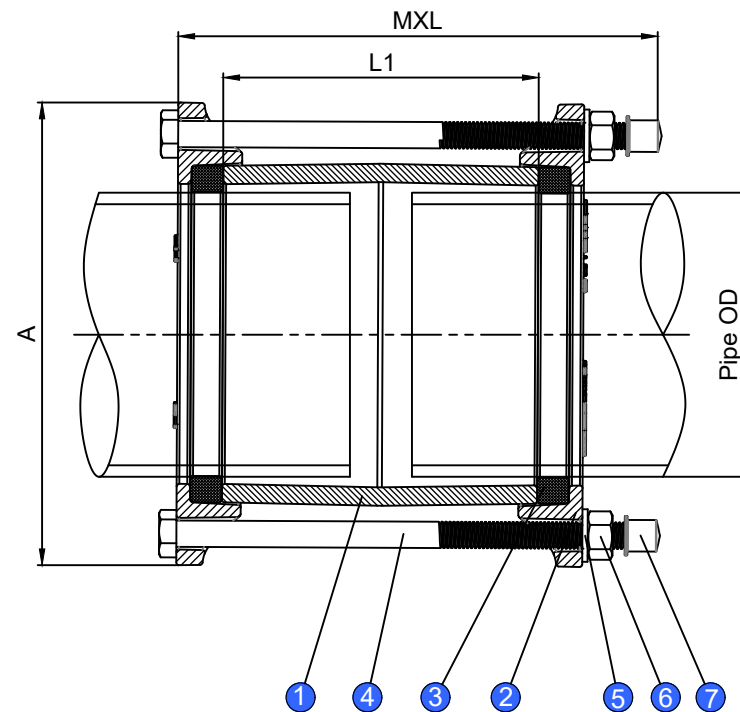


**■ Features**

- Cast Iron GG25 material with Black Bitumen Painting.
- PN10/PN16 working pressure.
- Equipped with Dacromet Coated Steel bolts, nuts.
- EPDM rubber seals .
- High Tolerance Mechanical Pipe Fittings



1: Flange dimensions according to EN1092-2  
 2: Any definite information kindly contact with Hiwa directly.

**Material Specification:**

No.	Parts Name	Material	Specification
1	Body	Cast Iron	GG25
2	End Ring	Cast Iron	GG25
3	Seal Ring	Rubber	EPDM
4	Bolt	Dacromet Coated Steel	
5	Washer	Dacromet Coated Steel	
6	Nut	Dacromet Coated Steel	
7	Cap	Plastic	

DRAWER		TOLERANCE		MATERIAL:		UNIT:mm
CHECK		SCALE		Gibault Joint		
APPROVAL		DATE	06/24/20			
				OD50-OD500		
				REV	202006A	

This document is the property of Huihua Valve Industry Co. Distribution of this document without the written consent of the owner is strictly forbidden. Failure to comply will incur a liability for damages.  
 http://www.hiwaflow.com Website sales@hiwaflow.com Email  
 86 - 533 - 6077217 Phone 86 - 533 - 6077233 FAX  
 Huihua Valve Industry co. No.36 MinAn Road New Hi-Tech Industry Zone Zibo Shandong China 255088 p.c