

**Material and Relevant Standards:**

■ **Main Parts:**

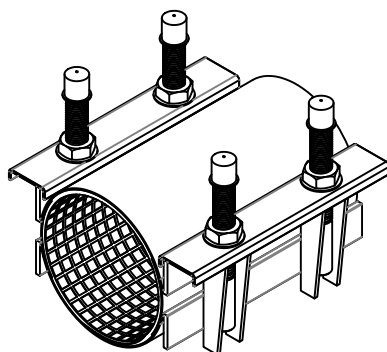
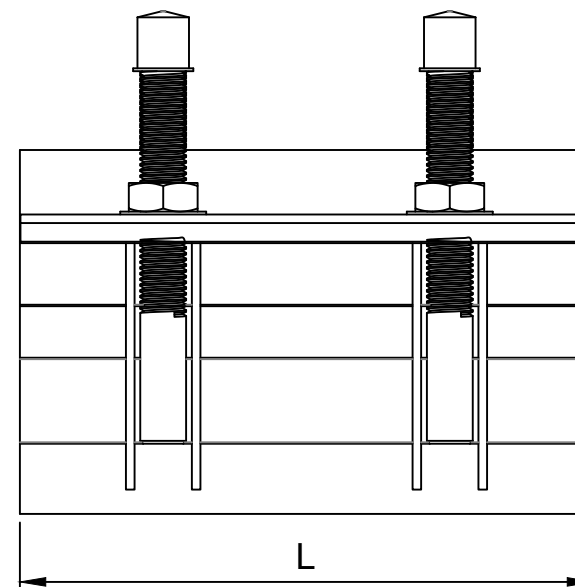
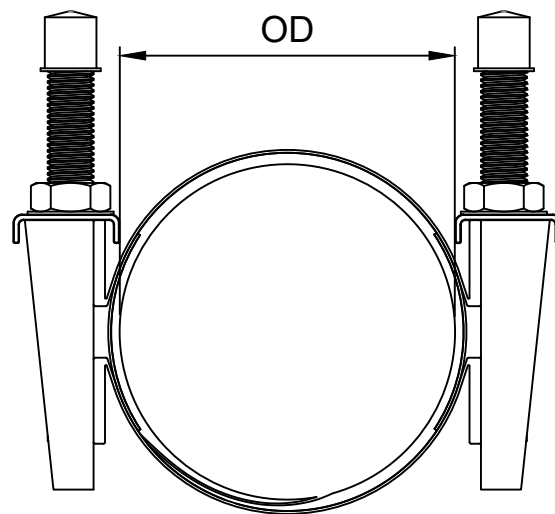
- Body, Bridge Plate, Lockable Plate, Bolts, Nuts, Washer are all stainless steel AISI304(A2).

■ **Gasket**

- EPDM for normal application, NBR, SILICONE, VITON for option.
- EPDM to BS EN681-1/ NBR to EN682.
- Our rubber had approved by WRAS(UK),any certificate request pls feel free to contact with Hiwa directly.

■ **Lug**

- Stainless Steel to AISI 304 (A2)



**Material Specification:**

|                    |       |
|--------------------|-------|
| Body               | SS304 |
| Rubber Seal Gasket | EPDM  |
| Bolts              | SS304 |
| Nut                | SS304 |
| Washer             | SS304 |
| Bridge Plate       | SS304 |
| Lockable Plate     | SS304 |
| Lugs               | SS304 |

|          |  |           |          |                                   |         |
|----------|--|-----------|----------|-----------------------------------|---------|
| DRAWER   |  | TOLERANCE |          | MATERIAL:                         | UNIT:mm |
| CHECK    |  | SCALE     |          | Full Stainless Steel Repair Clamp |         |
| APPROVAL |  | DATE      | 10/15/21 | RC200S                            |         |
|          |  |           |          | REV                               | 202110A |

This document is the property of Huihua Valve Industry Co. Distribution of this document without the written consent of the owner is strictly forbidden. Failure to comply will incur a liability for damages.

http://www.hiwaflow.com Website  
 sales@hiwaflow.com Email  
 86 - 533 - 6077217 Phone  
 86 - 533 - 6077233 FAX  
 Huihua Valve Industry co.  
 No.36 MinAn Road New Hi-Tech Industry  
 Zone Zibo Shandong China 255088 p.c