

**Material and Relevant Standards:**

■ **Main Parts:**

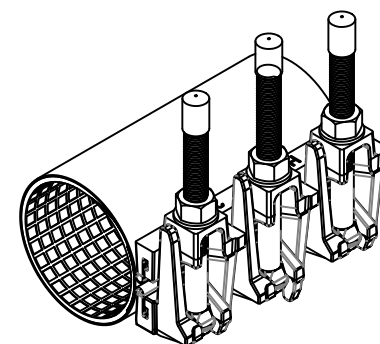
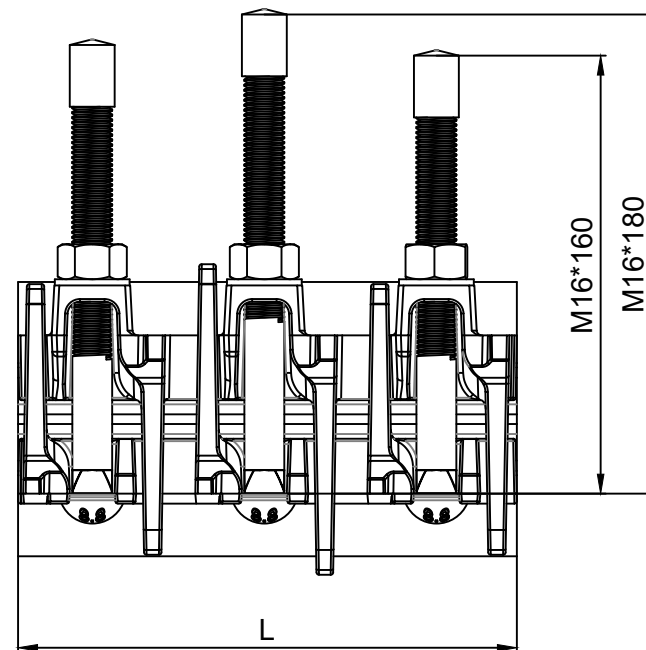
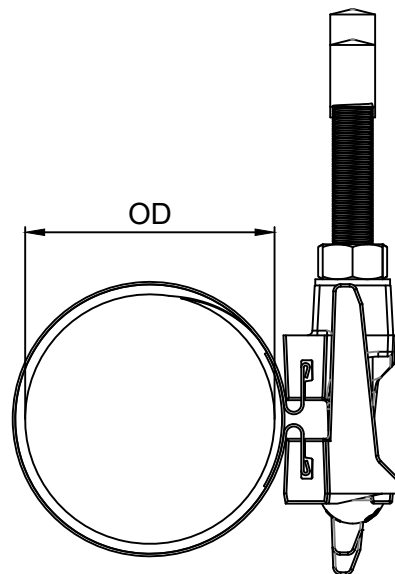
- Body, Bridge Plate, Lockable Plate, Bolts, Nuts, Washer are all stainless steel AISI304(A2).


■ **Gasket**

- EPDM for normal application, NBR, SILICONE, VITON for option.
- EPDM to BS EN681-1/ NBR to EN682.

■ **Lug**

- Ductile Iron Lugs to GGG50.



DRAWER		TOLERANCE		MATERIAL:	UNIT:mm
CHECK		SCALE		Stainless Steel Repair Clamp	Ductile Iron Lugs
APPROVAL		DATE	06/26/24		
				REV	202406A

This document is the property of Huihua Valve Industry Co.  
 Distribution of this document without the written consent of the owner is strictly forbidden  
 Failure to comply will incur a liability for damages

Website: <http://www.hiwaflow.com>  
 Email: [sales@hiwaflow.com](mailto:sales@hiwaflow.com)

Phone: 86 - 533 - 6077217  
 FAX: 86 - 533 - 6077233

Huihua Valve Industry co.  
 No.36 MinAn Road New Hi-Tech Industry  
 Zone Zibo Shandong China 255088 p.c