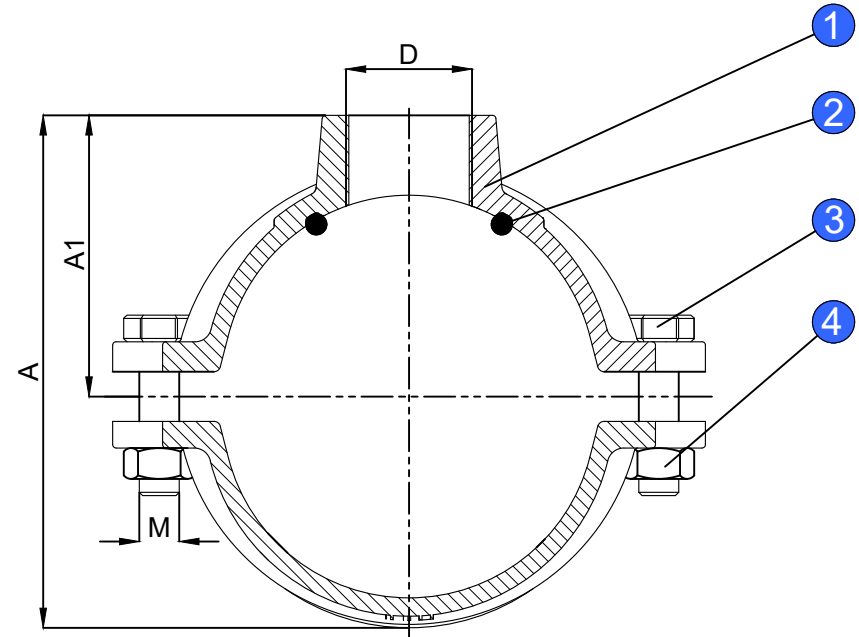
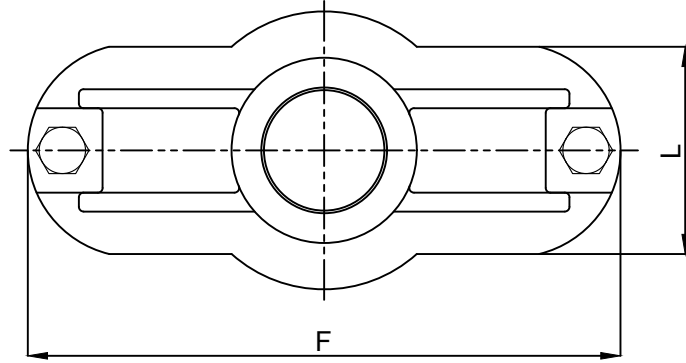


Fig:T506




■ Features

- Cast Iron GG20 with Black Bitumen Painting.
- PN10,PN16 working pressure.
- Equipped with Dacromet Coated Steel bolts, nuts.
- EPDM or NBR rubber seals .
- High Tolerance Mechanical Pipe Fittings

Material Specification:

No.	Parts Name	Material	Specification
1	Body	Cast Iron	GG20
2	Gasket	Rubber	EPDM
3	Bolt	Dacromet Coated Steel	
4	Nut	Dacromet Coated Steel	

DRAWER	TOLERANCE	MATERIAL:	UNIT:mm
CHECK	SCALE	Saddle Clamp for PVC Pipe	
APPROVAL	DATE		
		REV	202011A

This document is the property of Huihua Valve Industry Co.
 Distribution of this document without the written consent of the owner is strictly forbidden.
 Failure to comply will incur a liability for damages.

<http://www.hiwaflow.com> Website
sales@hiwaflow.com Email

86 - 533 - 6077217 Phone
 86 - 533 - 6077233 FAX

Huihua Valve Industry co.
 No.36 MinAn Road New Hi-Tech Industry
 Zone Zibo Shandong China 255088 p.c