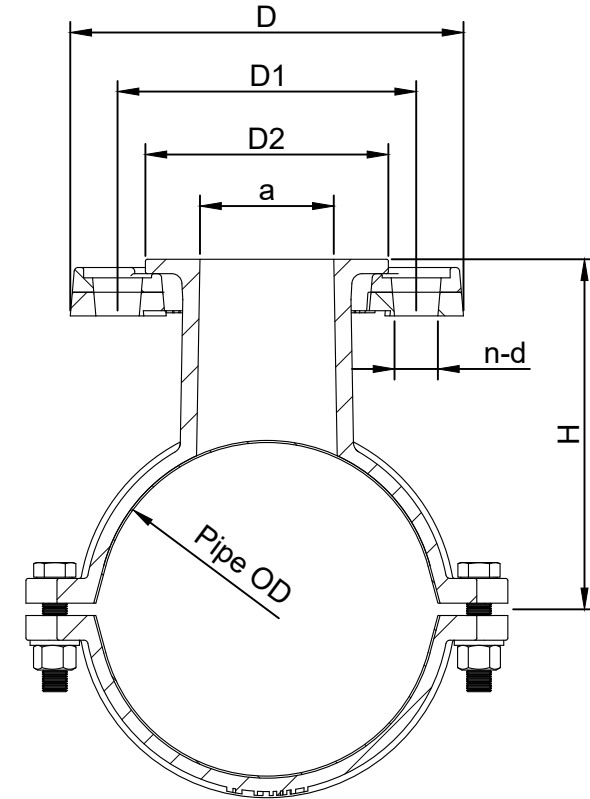
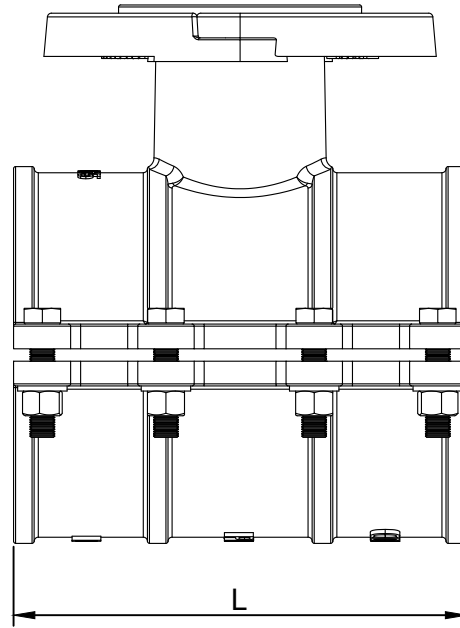


Fig:T502



1:Flange dimensions according to EN1092-2
 2:Any definite information kindly contact with Hiwa directly.

Material Specification:

Item No.	Item Name	Material	Specification
1	Body	Ductile Iron	GGG50
2	Gasket	Rubber	EPDM
3	Bolt	Dacromet Coated Steel	
4	Washer	Dacromet Coated Steel	
5	Nut	Dacromet Coated Steel	

DRAWER		TOLERANCE		MATERIAL:	UNIT:mm
CHECK		SCALE		Tapping Saddle for PVC Pipe	
APPROVAL		DATE	03/10/20	T502	
				REV	202003A

This document is the property of Huihua Valve Industry Co.
 Distribution of this document without the written consent of the owner is strictly forbidden
 Failure to comply will incur a liability for damages

Website: <http://www.hiwaflow.com>
 Email: sales@hiwaflow.com

Phone: 86 - 533 - 6077217
 FAX: 86 - 533 - 6077233

Huihua Valve Industry co.
 No.36 MinAn Road New Hi-Tech Industry
 Zone Zibo Shandong China 255088 p.c