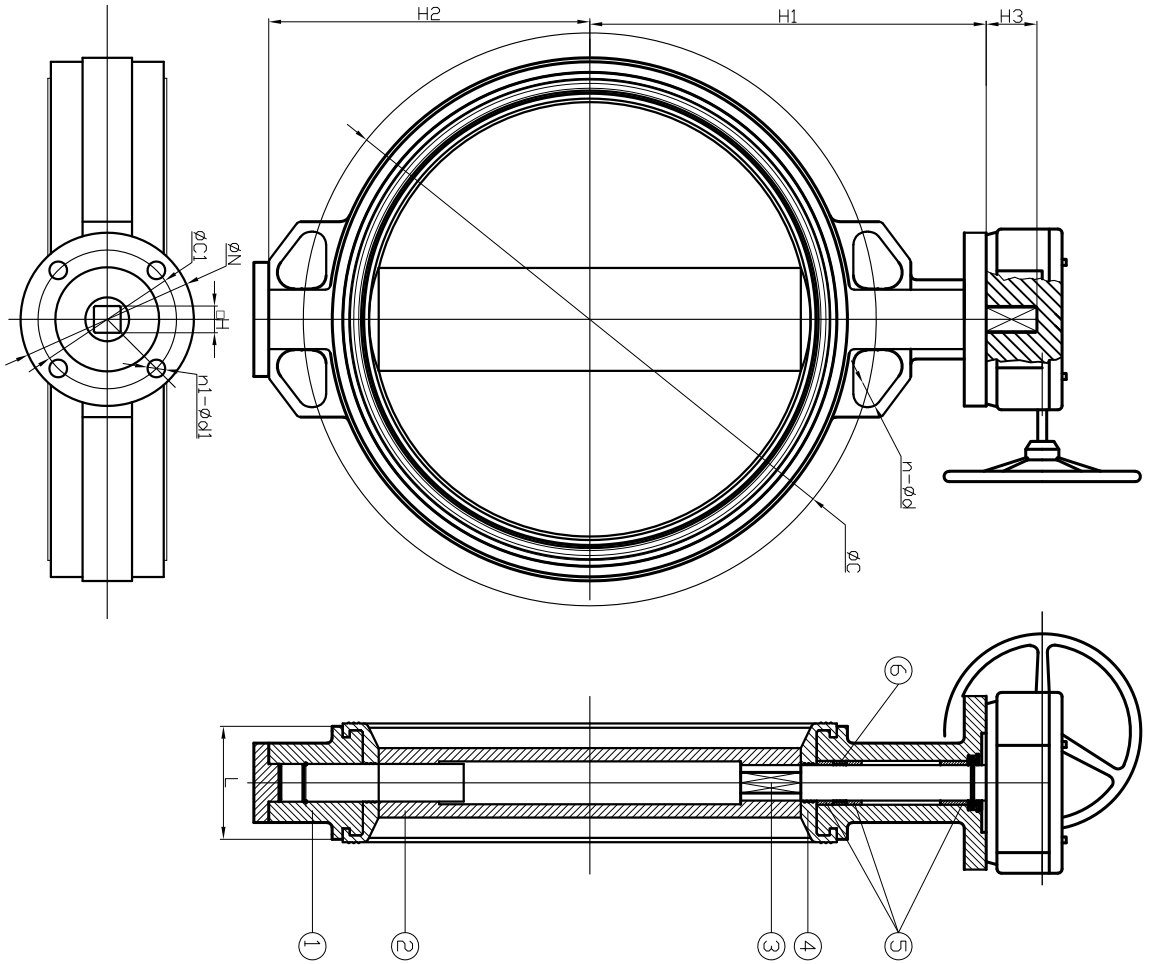


DN	L	DIN2501 PN10		DIN2501 PN16		H1	H2	H3	ISO5211				H
		ΦC	n-Φd	ΦC	n-Φd				Top Flange	DN	ØC1	n1-Ød1	
350	78	460	16-22	470	16-26	328	264	45	F10	125	102	4-12	22
400	102	515	16-26	525	16-30	360	293	51.2	F14	175	140	4-18	27
450	114	585	20-30	585	20-30	400	324	51.2	F14	175	140	4-18	27
500	127	650	20-33	650	20-33	460	350	64.2	F14	175	140	4-18	36
600	154	770	20-36	770	20-36	540	440	70.2	F16	210	165	4-22	36



Nominal pressure	PN10	PN16
Test pressure	1.5Mpa	2.4Mpa
Sealing test pressure	1.1Mpa	1.76Mpa
Maximum working pressure	-10℃ to +90℃	-10℃ to +90℃
Suitable Media	W.O.G etc	W.O.G etc

- 1.Design and manufacture according to ISO 5752.
- 2.Face to face according to EN558-1 20 series.
- 3.Flange drilling according to DIN 2501 PN10/16.
- 4.Top flange drilling according to ISO 5211.
- 5.Pressure test according to ISO5208.

Item	Part name	Material	Q'ty	Remark
6	Seal Ring	EPDM		
5	Bushing	PTFE		
4	Seat	EPDM/NBR		
3	Stem	SS420		
2	Disc	Ductile Iron with Nickel		
1	Body	Ductile Iron		

DIN	Wang	WEIGHT	MATERIAL
CHK		SCALE	Butterfly Valve
APP		DATE	

Hiwa

B20W-HJ

REV 20240722a