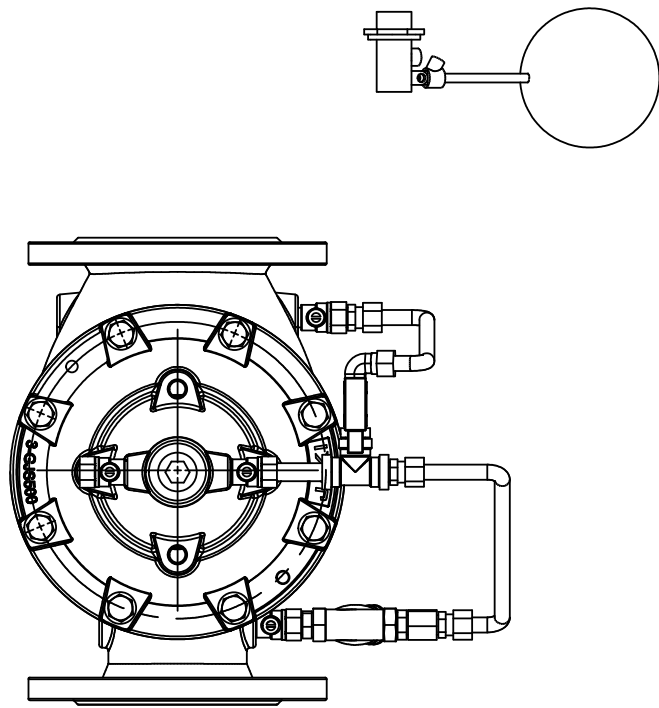


Design standard: EN1349/EN1074-5  
 Face to Face: EN1349:2000/1074-2000  
 Flange Drilling: EN1092-2-PN10/PN16  
 Pressure Test: EN12266, API 598, ISO 5208  
 This valve is a pressure reducing valve used to maintain  
 line pressure.



DN	L	D	D1	EN1092-2-PN10		EN1092-2-PN16		b
				D0	n $\times$ $\phi$ d	D0	n $\times$ $\phi$ d	
50	230	165	99	125	4X19	125	4X19	19
65	290	185	118	145	4X19	145	4X19	18
80	310	200	132	160	8X19	160	8X19	18
100	350	220	156	180	8X19	180	8X19	18
150	480	285	211	240	8X23	240	8X23	18
200	600	340	266	295	8X23	295	12X23	20
250	730	400	319	350	12X23	355	12X28	22
300	850	460	370	400	12X23	410	12X28	24.5

DN	WEIGHT	MATERIAL	
UK	SCALE		
APP	DATE		
	07/02/2020		

pilot water level control valve

**Hiwa**

CM0005

REV 20200202

This document is the property of Hiwa Valve Industry Co.  
 Distribution of this document without the written consent of the owner is strictly forbidden  
 Failure to comply will incur a liability for damages

<http://www.hiwa.cn> Website  
 sales@hiwa.cn Email

86-533-8077200 Phone  
 86-533-8077233 FAX

Hiwa Valve Industry Co.  
 No.36 Minlin Road New Hi-Tech Industry  
 Zone Zibo Shandong China 255008 p.c.