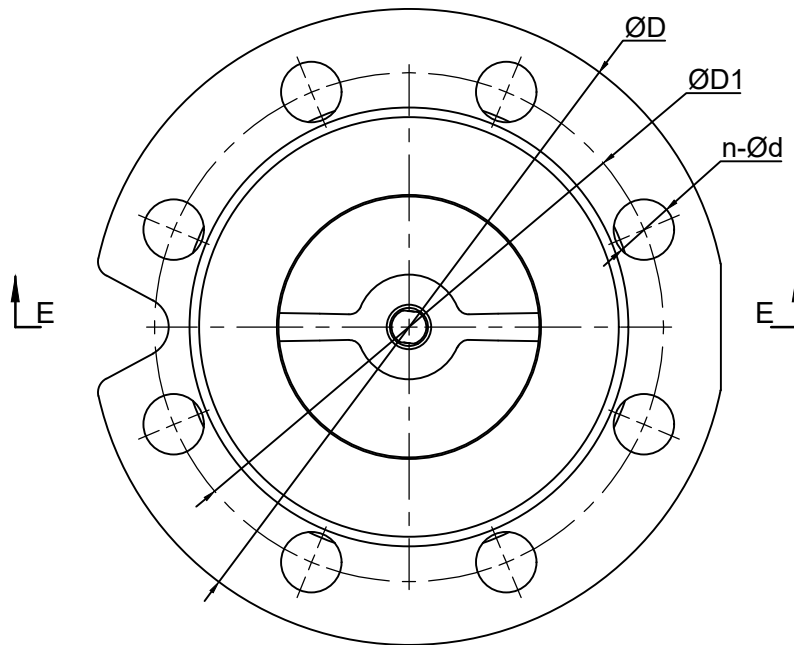



- 1. Flange drilling : EN1092-2 PN16
- 2. Work pressure:PN16.

DN	H	D	D1	n-d	D2	b	Weight (kg)
40	85	150	110	4-19	84	19	4.1
50	100	165	125	4-19	99	19	5.3
65	120	185	145	4-19	118	19	7.1
80	140	200	160	8-19	132	19	8.6
100	170	220	180	8-19	156	19	11.3
125	200	250	210	8-19	184	19	17.2
150	230	285	240	8-23	211	19	23.0
200	300	340	295	12-23	266	20	36.2
250	354	400	355	12-28	319	22	64.2
300	410	455	410	12-28	370	24.5	89.1
350	425	520	470	16-28	429	26.5	119.3
400	475	580	525	16-31	480	28	168.5
450	500	640	585	20-31	548	30	215.4
500	550	715	650	20-34	609	31.5	264.5
600	600	840	770	20-37	720	36	360.1



No	Part Name	Material	Q'ty	Remark
7	Seat	Ductile iron		
6	Seal	EPDM		
5	Disc	Ductile iron		
4	Bushing	Nylon		
3	Stem	SS304		
2	Spring	SS304		
1	Body	Ductile iron		

DRN	wang	WEIGHT		MATERIAL	
CHK		SCALE		Flange Silent Check Valve	
APP		DATE	07/20/2024		
				CC0038	
				REV	20240720a