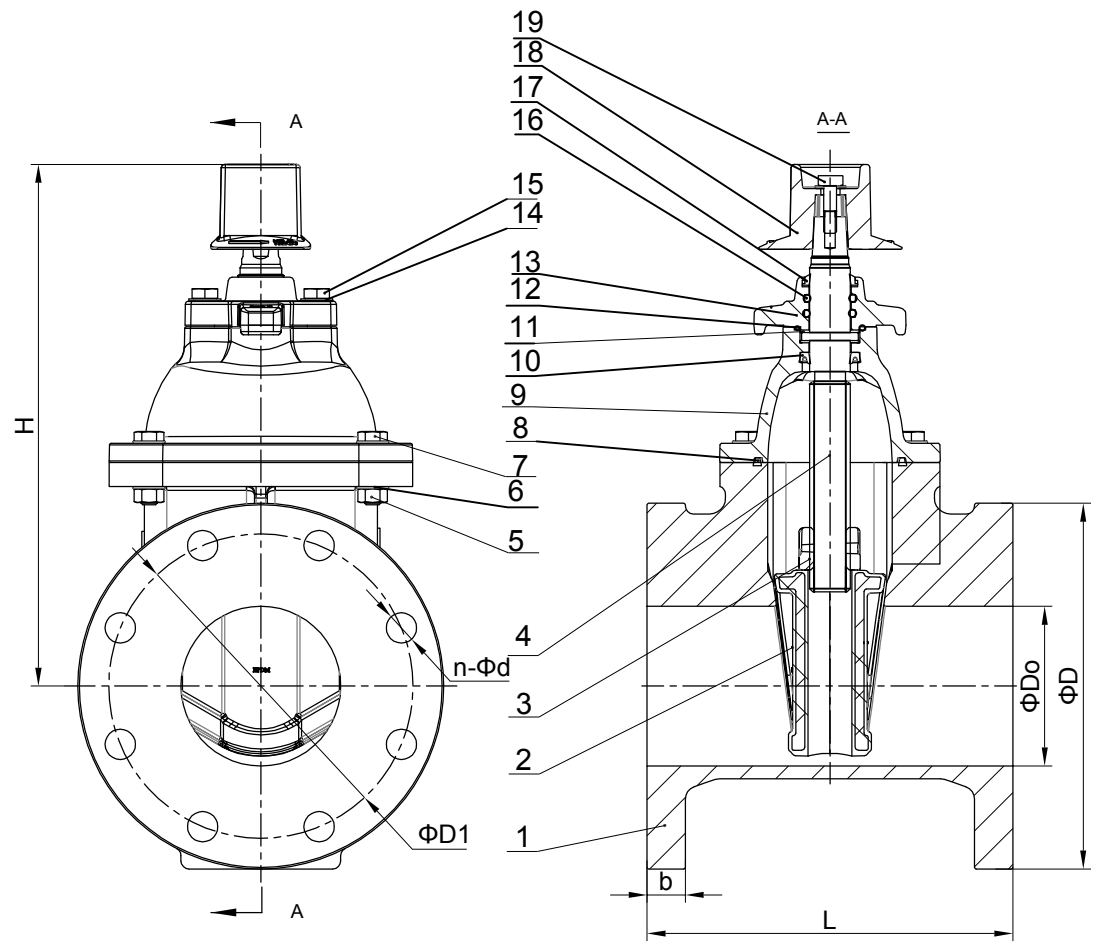


Size	L	ΦDo	ΦD	ANSI/ASME Class125&150		EN1092-2 PN10		EN1092-2 PN16		JIS10K		AS2129 Table D		AS2129 Table E		b	H
				ΦD1	n-Φd	ΦD1	n-Φd	ΦD1	n-Φd	ΦD1	n-Φd	ΦD1	n-Φd	ΦD1	n-Φd		
4"	229	Φ102.3	Φ229	Φ190.5	8-Φ19	Φ180	8-Φ19	Φ180	8-Φ19	Φ175	8-Φ19	Φ178	4-Φ18	Φ178	8-Φ18	23.9	368
5"	254	Φ128.2	Φ254	Φ216	8-Φ22	Φ210	8-Φ19	Φ210	8-Φ19	Φ210	8-Φ23	Φ210	8-Φ18	Φ210	8-Φ18	23.9	405
6"	267	Φ154.1	Φ279	Φ241.5	8-Φ22	Φ240	8-Φ23	Φ240	8-Φ23	Φ240	8-Φ23	Φ235	8-Φ18	Φ235	8-Φ22	25.4	455

\*All dimensions are in millimeter.

- 1.Design Standard/设计标准: AWWA C515 for 2"-8";  
AWWA C509 for 10"-12".
- 2.Face to Face Standard/结构长标准: ANSI B16.10
- 3.Flange Drilling/法兰钻孔标准: ANSI/ASME B16.1 Class125,  
Other flange types available upon request  
ANSI/ASME B16.1 Class 150,EN1092-1 PN10/PN16,  
JIS 10K/16K,AS 2129 Table D/Table E,BS10 Table D/Table E.
- 4.Working Pressure/工作压力: 175PSI, 200PSI, 250PSI, 300PSI.



19	Bolt/内六角螺栓	Galvanized steel/碳钢镀锌	A307 Q235-A
18	Cap/防尘圈	Ductile Iron/球铁	A536 65-45-12
17	Dust Guard/防尘圈	EPDM/三元乙丙橡胶	ASTM D2000
16	O-ring/O型圈	EPDM/三元乙丙橡胶	ASTM D2000
15	Bolt/六角头螺栓	Galvanized steel 10.9grade/碳钢镀锌 10.9级	A307 Q235-A
14	Washer/垫片	Galvanized steel/碳钢镀锌	A307 Q235-A
13	Gland/压盖	Ductile Iron/球铁	A536 65-45-12
12	O-ring/O型圈	EPDM/三元乙丙橡胶	ASTM D2000
11	Washer/垫片	Nylon/尼龙	Nylon
10	V-Ring/V型圈	EPDM/三元乙丙橡胶	ASTM D2000
9	Bonnet/阀盖	Ductile Iron/球铁	A536 65-45-12
8	Bonnet Gasket/中法兰密封垫	EPDM/三元乙丙橡胶	ASTM D2000
7	Bolt/六角头螺栓	Galvanized steel 10.9grade/碳钢镀锌 10.9级	A307 Q235-A
6	Washer/平垫圈	Galvanized steel/碳钢镀锌	A307 Q235-A
5	Nut/螺母	Galvanized steel/碳钢镀锌	A307 Q235-A
4	Stem/阀杆	Stainless Steel/不锈钢	ASTM A276 431/304/316
3	Stem Nut/阀杆螺母	Aluminium Bronze/铝青铜	AS1565 C95210
2	Wedge/闸板	Ductile Iron Encapsulated with EPDM//球铁+三元乙丙橡胶	A536 65-45-12+EPDM
1	Body/阀体	Ductile Iron/球铁	A536 65-45-12
No/序号	Name/名称	Material/材料	Specification/规范

DRN	WEIGHT	MATERIAL
CHK	SCALE	NRS Flange x Flange Gate Valve 4"-6"
APP	DATE	
		CZ0026 Z3713BUF-FF-4-6-Assembly-UL
		REV 20171115-A

This document is the property of Huihua Valve Industry Co. Distribution of this document without the written consent of the owner is strictly forbidden. Failure to comply will incur a liability for damages.

http://www.hiwa.cn Website sales@hiwa.cn Email

86 - 533 - 6077200 Phone 86 - 533 - 6077253 FAX

Huihua Valve Industry Co. No.36 MinAn Road New Hi-Tech Industry Zone Zibo Shandong China 255088 p.c