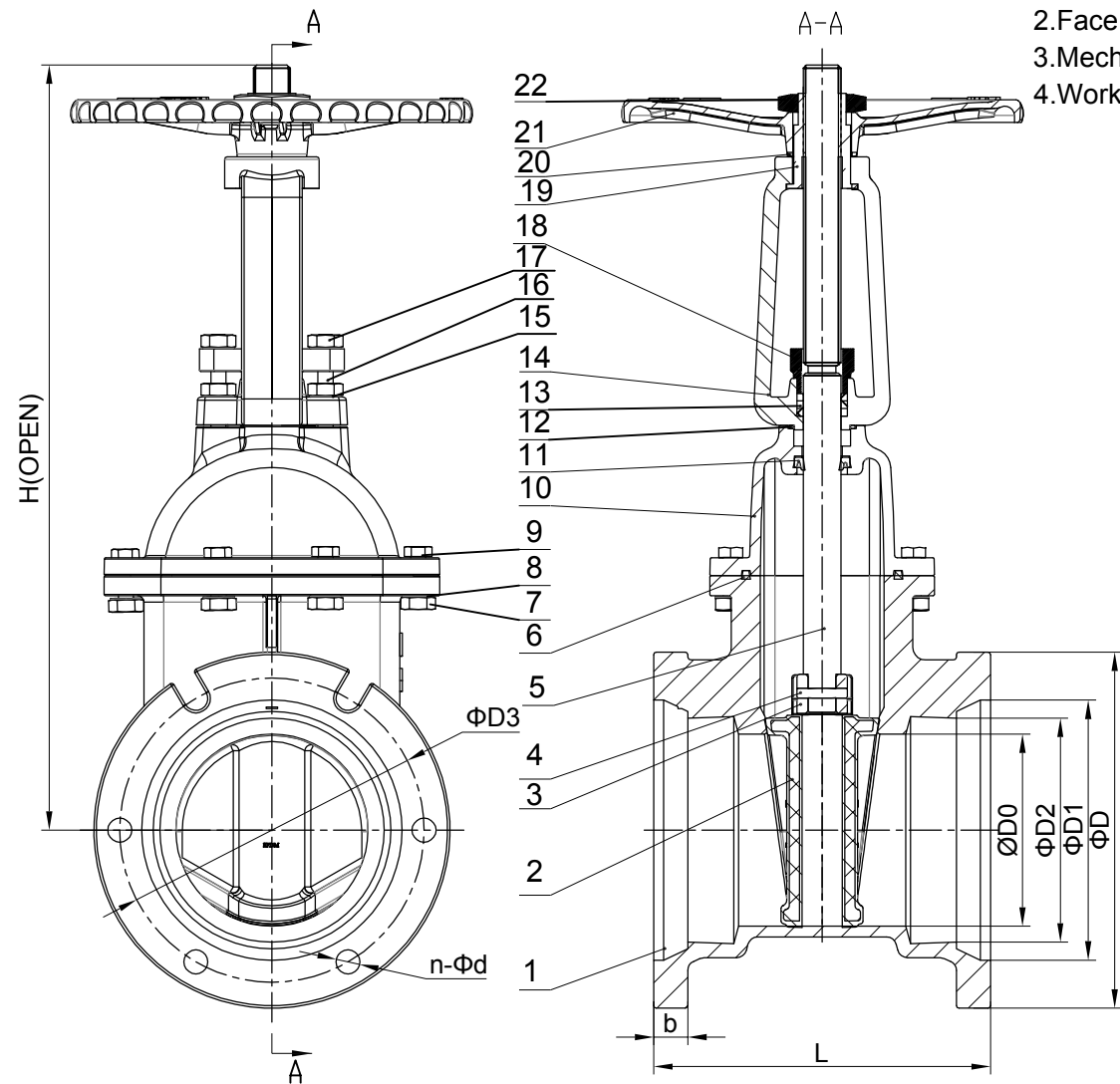



| Size | L | ΦD0 | ΦD | ΦD1 | ΦD2 | ΦD3 | n-Φd | b | H |
|------|-------|--------|--------|---------|--------|---------|-------|------|-----|
| 3" | 228.6 | Φ80 | Φ195.3 | Φ125.48 | Φ103.1 | Φ157.2 | 4-Φ19 | 23.9 | 535 |
| 4" | 229 | Φ102.3 | Φ231.7 | Φ152.9 | Φ124.5 | Φ190.5 | 4-Φ22 | 25.4 | 590 |
| 6" | 267 | Φ154.1 | Φ282.5 | Φ206.25 | Φ177.8 | Φ241.3 | 6-Φ22 | 26.9 | 790 |
| 8" | 292 | Φ203 | Φ343 | Φ260.8 | Φ232.4 | Φ298.45 | 6-Φ22 | 28.5 | 974 |

*All dimensions are in millimeter.

- 1.Design Standard/设计标准: AWWA C515 for 2"-8"; AWWA C509 for 10"-12".
- 2.Face to Face Standard/结构长标准: ANSI B16.10
- 3.Mechanical Ends/连接标准: AWWA C111/A21.11,AWWA C110
- 4.Working Pressure/工作压力: 175PSI, 200PSI, 250PSI, 300PSI



| 22 | Thin Nut/薄螺母 | Stainless Steel/不锈钢 | ASTM A276 304 |
|-------|----------------------|---|-----------------------|
| 21 | Handweel/手轮 | Ductile Iron/球铁 | A536 65-45-12 |
| 20 | Washer/铜垫片 | Aluminium Bronze/铝青铜 | AS1565 C95210 |
| 19 | Yoke Nut/支架螺母 | Aluminium Bronze/铝青铜 | AS1565 C95210 |
| 18 | Gland/压盖 | Ductile Iron/球铁 | A536 65-45-12 |
| 17 | Nut/螺母 | galvanized steel/碳钢镀锌 | A307 Q235-A |
| 16 | studs/双头螺栓 | galvanized steel 10.9grade/碳钢镀锌 10.9级 | A307 Q235-A |
| 15 | Washer/平垫片 | galvanized steel/碳钢镀锌 | A307 Q235-A |
| 14 | Yoke/支架 | Ductile Iron/球铁 | A536 65-45-12 |
| 13 | Packing/填料环 | EPDM/三元乙丙橡胶 | ASTM D2000 |
| 12 | O-Ring/O型圈 | EPDM/三元乙丙橡胶 | ASTM D2000 |
| 11 | V-Ring/V型圈 | EPDM/三元乙丙橡胶 | ASTM D2000 |
| 10 | Bonnet/阀盖 | Ductile Iron/球铁 | A536 65-45-12 |
| 9 | Bolt/六角头螺栓 | galvanized steel 10.9grade/碳钢镀锌 10.9级 | A307 Q235-A |
| 8 | Washer/平垫片 | galvanized steel/碳钢镀锌 | A307 Q235-A |
| 7 | Nut/螺母 | galvanized steel/碳钢镀锌 | A307 Q235-A |
| 6 | Bonnet Gasket/中法兰密封垫 | EPDM/三元乙丙橡胶 | ASTM D2000 |
| 5 | Stem/阀杆 | Stainless Steel/不锈钢 | ASTM A276 431/304/316 |
| 4 | Pin/圆柱销 | Stainless Steel/不锈钢 | ASTM A276 304 |
| 3 | Stem Nut/阀杆螺母 | Aluminium Bronze/铝青铜 | AS1565 C95210 |
| 2 | Wedge/闸板 | Ductile Iron Encapsulated with EPDM/球铁+三元乙丙橡胶 | A536 65-45-12+EPDM |
| 1 | Body/阀体 | Ductile Iron/球铁 | A536 65-45-12 |
| N0/序号 | Name/名称 | Material/材料 | Specification/规范 |

| | | | | |
|---|--|--------|--|----------------------------|
| DRN | | WEIGHT | | MATERIAL |
| CHK | | SCALE | | OS&Y MJ. x MJ. Gate Valve |
| APP | | DATE | | 3"-8" |
|  | | | | CZ0036 |
| | | | | Z3113UF-MM-3-8-Assembly-UL |
| REV | | | | 20171115-A |

This document is the property of Huihua Valve Industry Co. Distribution of this document without the written consent of the owner is strictly forbidden. Failure to comply will incur a liability for damages.

http://www.hiwa.cn Website Email sales@hiwa.cn
86 - 533 - 6077200 Phone 86 - 533 - 6077233 FAX

Huihua Valve Industry Co. No.36 MinAn Road New Hi-Tech Industry Zone Zibo Shandong China 255088 p.c